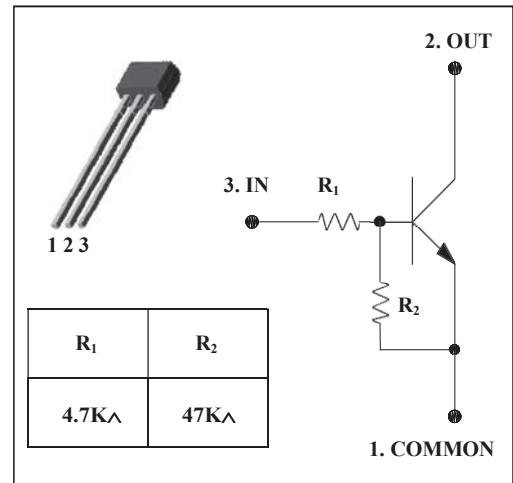


**TO-92M Plastic-Encapsulate Transistors**
**FEATURES**

- With built-in bias resistors
- Simplify circuit design
- Reduce a quantity of parts and manufacturing process
- High packing density
- NPN Silicon Transistor

**MECHANICAL DATA**

- Case style:TO-92M molded plastic
- Mounting position:any


**MAXIMUM RATINGS AND CHARACTERISTICS**

@ 25°C Ambient Temperature (unless otherwise noted)

Characteristic	Symbol	Rating	Unit
Output voltage	V <sub>O</sub>	50	V
Input voltage	V <sub>I</sub>	20,-5	V
Output current	I <sub>O</sub>	100	mA
Power dissipation	P <sub>D</sub>	400	mW
Junction temperature	T <sub>J</sub>	150	°C
Storage temperature range	T <sub>stg</sub>	-55 ~ 150	°C

 Electrical Specification (@T<sub>A</sub>=25 unless otherwise specified)

Characteristic	Symbol	Test Condition	Min	Typ	Max	Unit
Output cut-off current	I <sub>O(OFF)</sub>	V <sub>O</sub> =50V, V <sub>I</sub> =0	-	-	500	nA
DC current gain	G <sub>I</sub>	V <sub>O</sub> =5V, I <sub>O</sub> =10mA	80	200	-	-
Output voltage	V <sub>O(ON)</sub>	I <sub>O</sub> =10mA, I <sub>I</sub> =0.5mA	-	0.1	0.3	V
Input voltage (ON)	V <sub>I(ON)</sub>	V <sub>O</sub> =0.2V, I <sub>O</sub> =5mA	-	0.9	1.3	V
Input voltage (OFF)	V <sub>I(OFF)</sub>	V <sub>O</sub> =5V, I <sub>O</sub> =0.1mA	0.5	0.65	-	V
Transition frequency	f <sub>T</sub> *	V <sub>O</sub> =10V, I <sub>O</sub> =5mA, f=1MHz	-	200	-	MHz
Input current	I <sub>I</sub>	V <sub>I</sub> =5V, I <sub>O</sub> =0	-	-	1.8	mA
Input resistor (Input to base)	R <sub>1</sub>	-	3.3	4.7	6.1	K $\Omega$
Input resistor (Base to common)	R <sub>2</sub>	-	33	47	61	K $\Omega$

\* : Characteristic of transistor only

RATINGS AND CHARACTERISTIC CURVES

Fig. 1  $P_D - T_a$

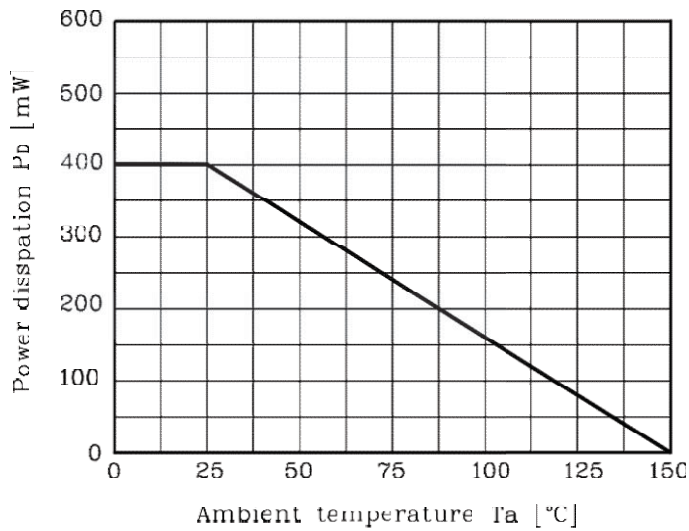


Fig. 2  $I_O - V_{I(ON)}$

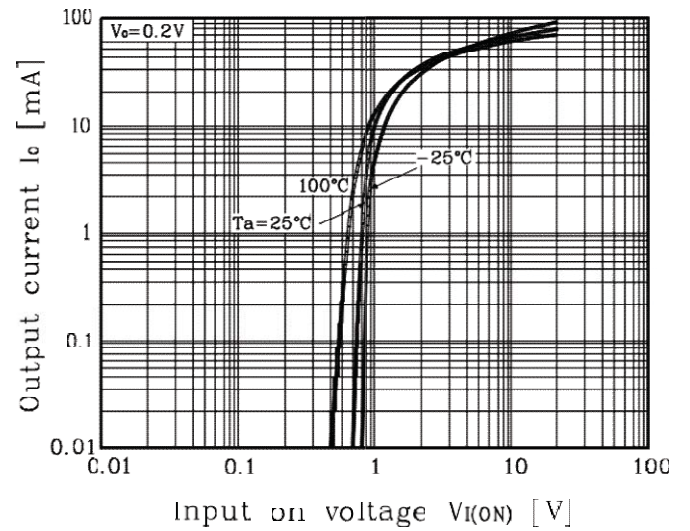


Fig. 3  $I_O - V_{I(OFF)}$

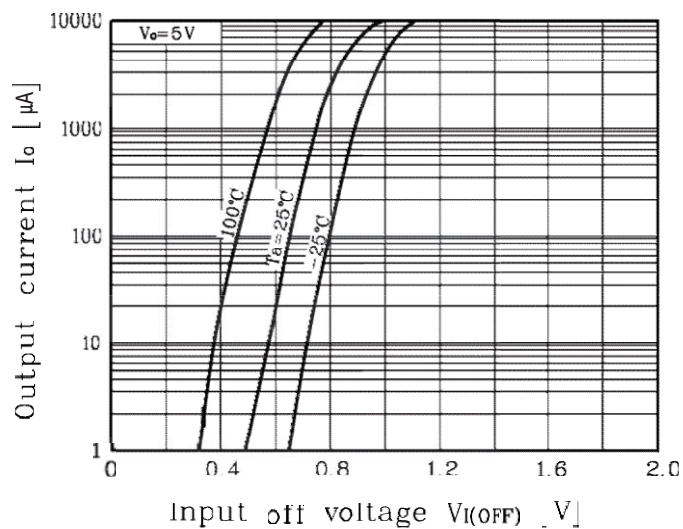
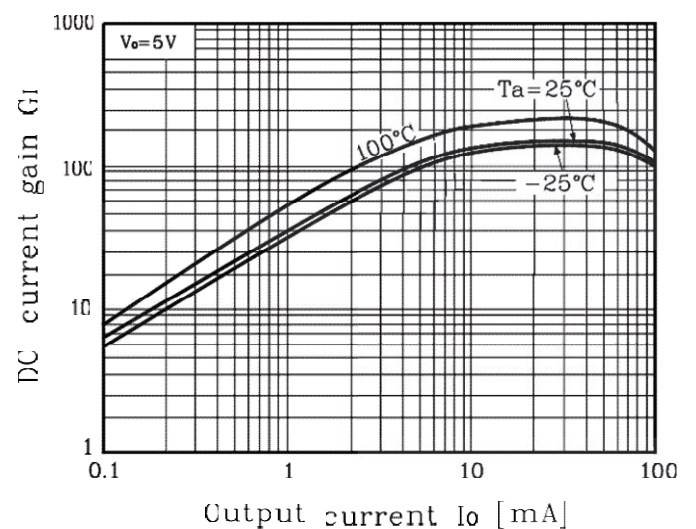
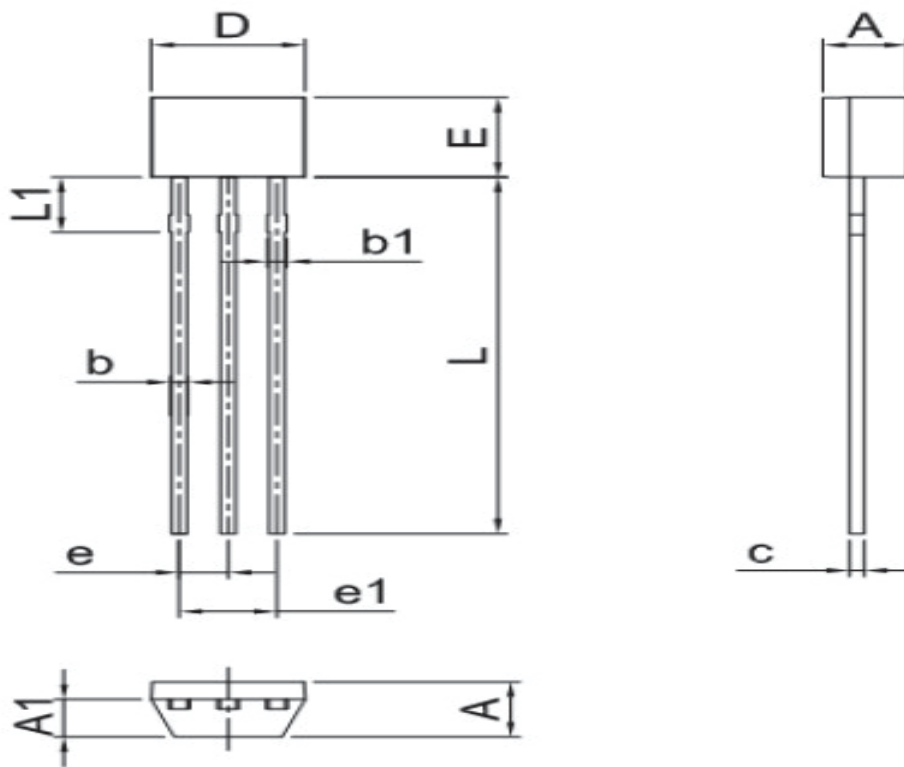


Fig. 4  $G_I - I_O$





Symbol	TO-92 M		
	Min.	Typ	Max.
A	2.10	2.20	2.30
A1	1.30	1.50	1.70
b	0.40	0.45	0.50
b1	0.50	0.55	0.60
c	0.35	0.40	0.45
D	3.80	4.00	4.20
E	2.80	3.00	3.20
e	1.17	1.27	1.37
e1	2.34	2.54	2.64
L	12.80	13.30	13.80
L1	2.00	2.20	2.40